

HIGH PRESSURE BALL VALVES

Ball Valve Locking Devices



Description

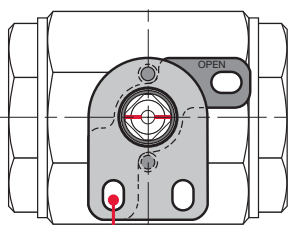
In situations where the opening or closing of a ball valve can cause severe damage or personal injury, HYDAC recommends the installation of a locking device. Locking devices are available for our entire range of high pressure ball valves. Two different styles are available to accommodate the different valve body styles. All HYDAC high pressure ball valves can be ordered with a locking device. Locking devices can also be ordered separately using the chart below.

Material note: All lock plates and lock bars are made of Zinc plated Steel.

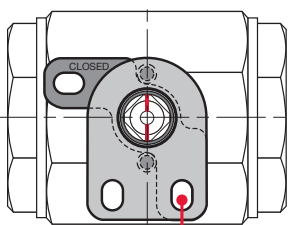
Operation

KHM...
(forged valve bodies)

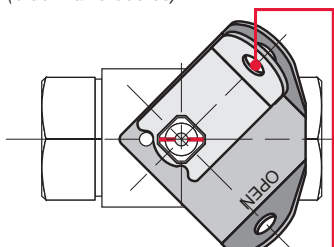
KHB..., KHP..., KH3..., KH4..., KHB3K...
(block valve bodies)



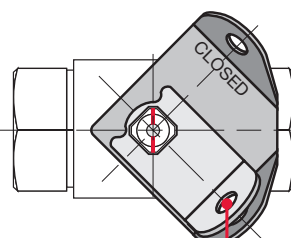
Apply Pad Lock (not supplied) here to lock in OPEN Position



Apply Pad Lock (not supplied) here to lock in CLOSED Position

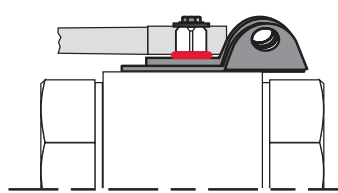
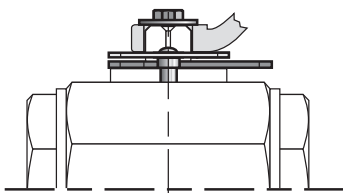


Apply Pad Lock (not supplied) here to lock in OPEN Position



Apply Pad Lock (not supplied) here to lock in CLOSED Position

Installation

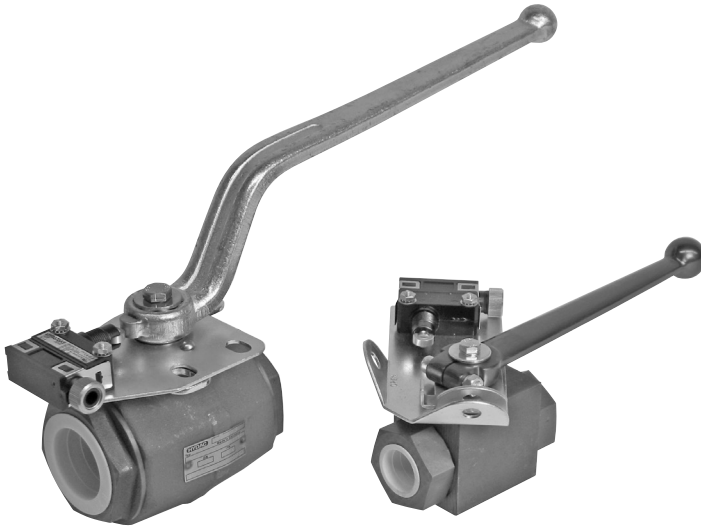


Ordering

To order a ball valve with a locking device, simply add "-L" to the end of the model code. See the model code page for that particular valve to create a complete code. To order a locking device separately, use the chart below.

Size	KHB	KHM	KHP	KH3 & KH4	KHB3K
6	02061169	02061169	N/A	02061172	02061175
10	02061169	02061169	02061169	02061173	02061175
12	N/A	N/A	N/A	02061173	N/A
16	02061170	02061170	02061170	N/A	02061176
20	02061171	02061171	02061171	02061174	02061177
25	02061171	02061171	02061171	N/A	02061177
32	N/A	02055711	02063434	N/A	N/A
40	N/A	02055711	02063434	N/A	N/A
50	N/A	02055711	02063434	N/A	N/A

Ball Valve Locking Devices with Limit Switches



Description:

When remote indication of the valve position is required, a limit switch can be added to the valve assembly.

- A reliable single pole, double throw (SPDT) switch to indicate either open or closed position of a two-way valve
- Hermetically sealed
- Can be wired as Normally Open (N/O), or Normally Closed (N/C)
- Available for HYDAC valve sizes 20 through 50
- Mounting brackets serve as locking devices

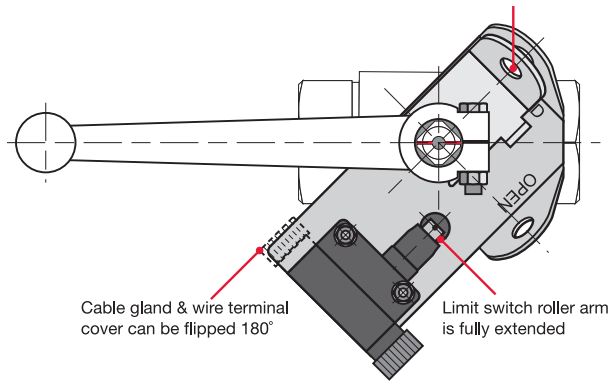
Ordering:

To order a valve with limit switch, add “-LS” to the end of the valve **Model Code**, i.e.: KHM-32NPT-1114-16X-LS

Operation

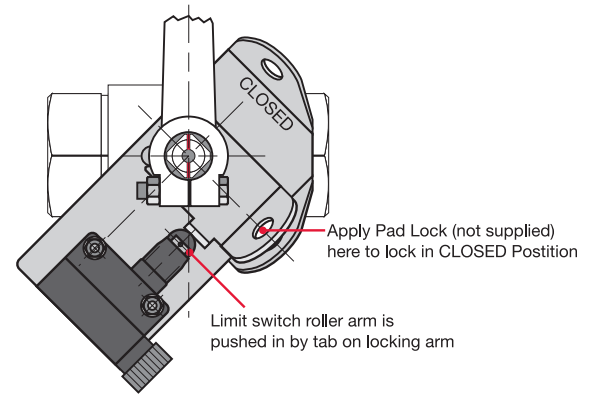
KHB..., KHP..., KH3..., KH4..., KHB3K... (block valve bodies, sizes 20 & 25)

Apply Pad Lock (not supplied) here to lock in OPEN Position



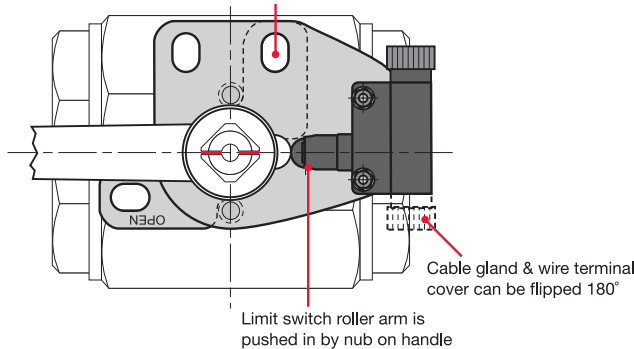
Valve Retrofit kit

Part #: 02067694

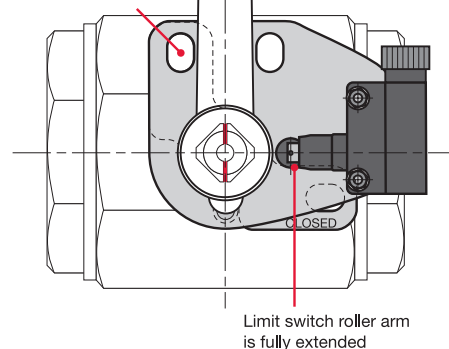


KHM... (forged valve bodies, sizes 32 through 50)

Apply Pad Lock (not supplied) here to lock in OPEN Position



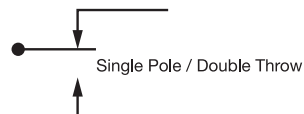
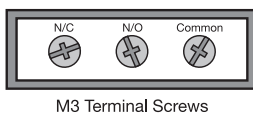
Apply Pad Lock (not supplied) here to lock in CLOSED Position



Valve Retrofit kit

Part #: 02063537

Wiring Details



Electrical Specifications

- NEMA 3, 4, 13 and IEC IP 67
- 5A- up to 250 VAC, 30 VDC
- Temperature range: 14 to 158°F
- UL listed

Replacement Switch

Part #: 02700009